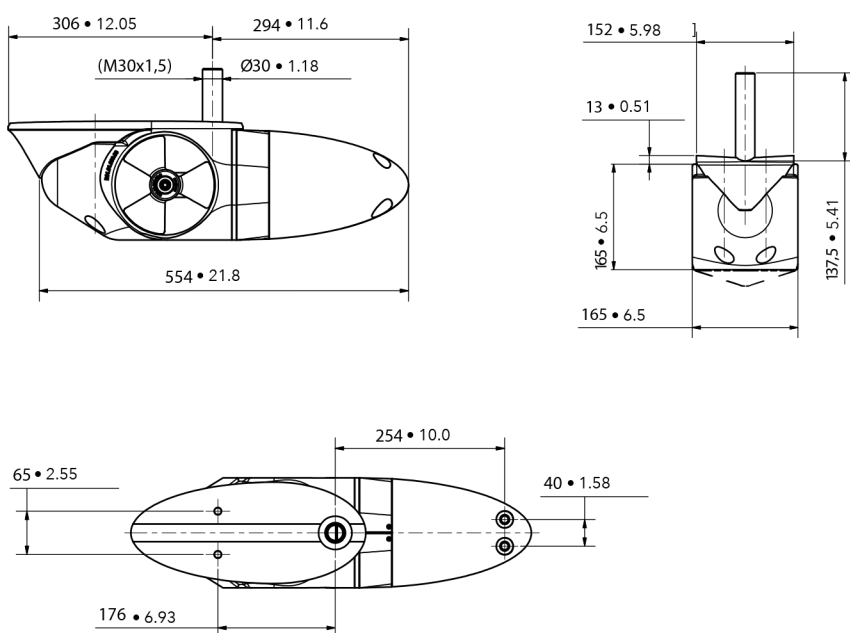


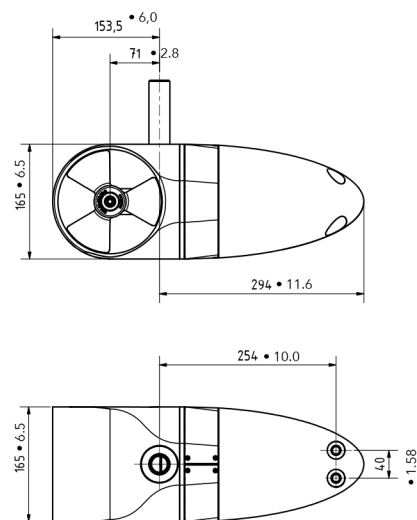
Measurements EX Series



EX Single



EX Compact



EX Dual

